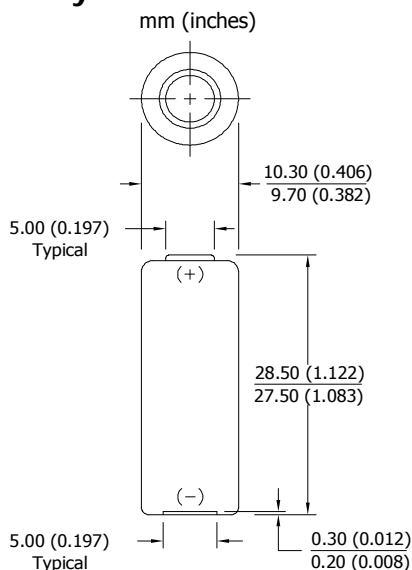


ENERGIZER A23

Miniature Alkaline



Industry Standard Dimensions



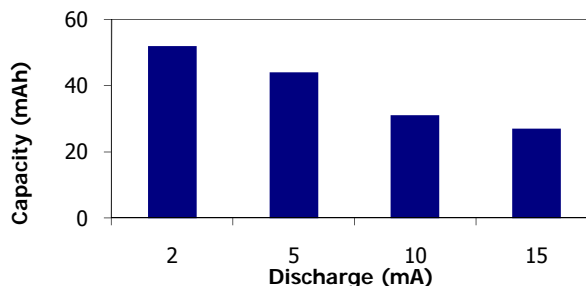
Designed for electronic applications which may require high rate pulses.

Specifications

- Classification:** Miniature Alkaline
- Chemical System:** Manganese Dioxide (MnO₂)
- Designation:** ANSI-1181A
- Nominal Voltage:** 12 volts
- Typical Capacity:** 55 mAh to 6.0 Volts (rated at 20K ohms at 21°C)
- Typical Weight:** 8.0 grams (0.3 oz.)
- Typical Volume:** 1.1 cubic centimeters (0.07 cubic inch)
- Jacket:** Plastic Label
- Terminal:** Flat Contact

Milliamp-Hours Capacity

Continuous discharge to 6.0 volts at 21°C

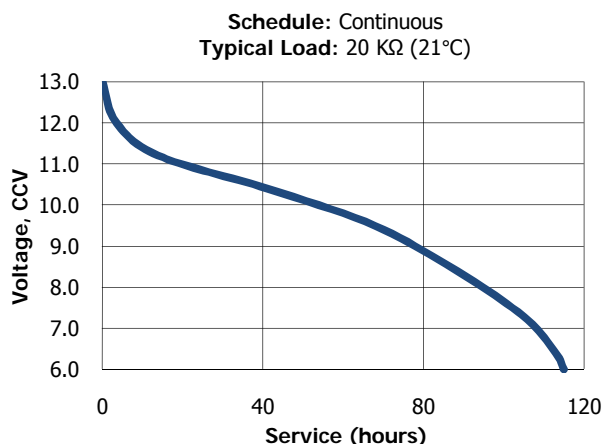


Typical Discharge Durations

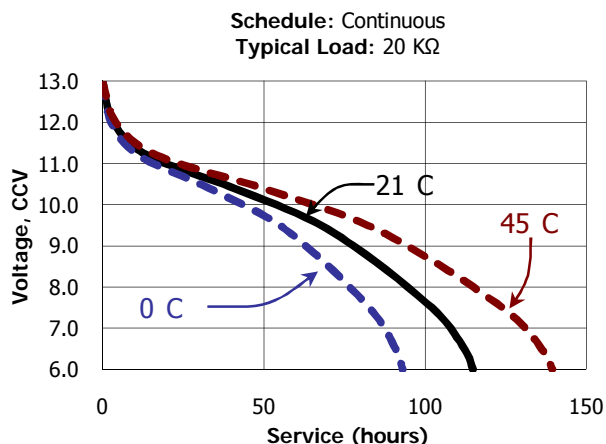
Continuous discharge at 21°C

Schedule (time)	Drain (mA)	Load (ohms)	Cutoff Voltage		
			8.8V (hours)	7.2V (hours)	6.0V (hours)
Continuous	0.48	20K	81	105	115

Discharge Characteristics



Temperature Characteristics



Important Notice

This datasheet contains typical information specific to products manufactured at the time of its publication.
©Energizer Holdings, Inc. - Contents herein do not constitute a warranty.